

VIVAPAC-SP



The VIVAPAC is an easy set and use machine designed to pack a wide variety of products into 4 side-seal pouches, peel or tear open. Size and material changeovers are quick and easy and the range of packaging material supported is comprehensive: papers, aluminum & plastic foils. Human interface is through a tactile screen which allows programming of sealing parameters and reports any fault conditions. The machine is fully auto-controlled with automatic cycle interruption when an alarm threshold is crossed. The 'step by step' running mode allows easy loading and diagnostics.

Features:

- Length of pouches adjustable from 60 to 350 (or 650 or 800 mm) depending on model
- Width of pouches from 60 to 180 mm (or 280 or 450 mm) depending on model
- Production rate up to 30 cycles/minute
- Height of product up to 15 mm
- **100% made in France – Conformity CE**

Included Equipment:

- Direct access calibration connectors
- Peel Open flap
- Photocell for pre-printed material
- Sealing tools for specific shape if required
- Digital display of sealing pressure
- Pneumatic mandrel for tension control of material
- Hygienic loading table: with pushers or with direct loading onto the lower web of material

JR-Maruani

MANUFACTURER OF
PACKAGING MACHINES

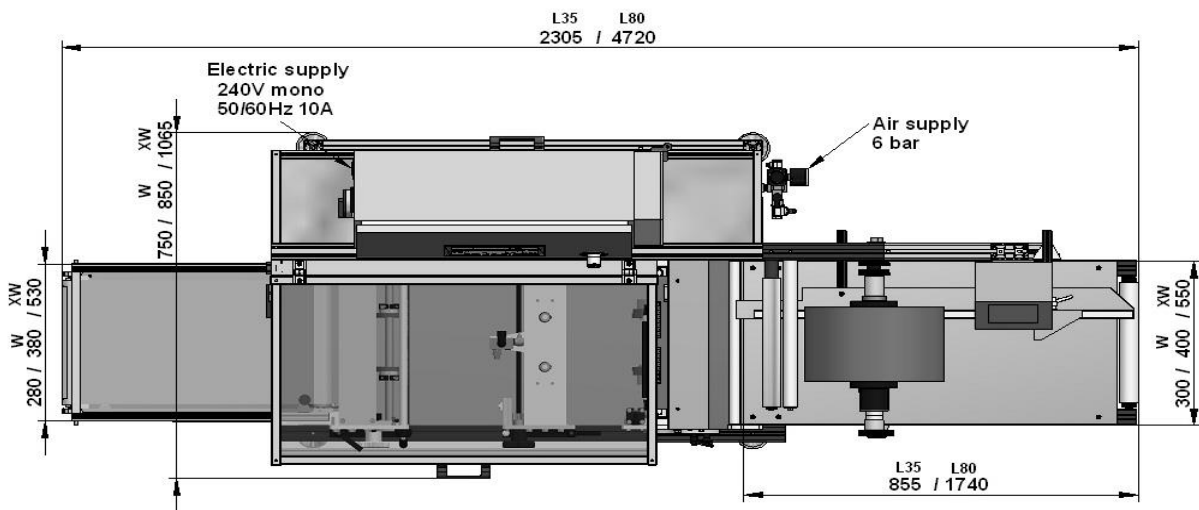
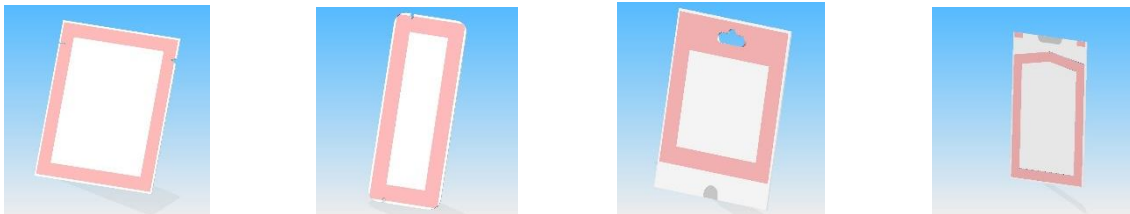
**HORIZONTAL
4 SIDE-SEAL
PACKAGING MACHINE**



Optional Equipment:

Printing device and / or Labeler
Tear open notch
Round corners
Edge trimming system
Stacking device
Full production & packaging lines

Thumb notch
Hanging hole
Double registration for pouches printed on both sides
Synchronization with production machine



Dimensions of machines type VIVAPAC.SP / SP.W / SP.XW
Useful width of 180 / 280 / 450 mm