

## MPG – SD



MPG 2000-SD is especially designed for the wrapping of pairs of gloves into a paper wallet in the best hygienic condition. Human interface is through a large colored tactile screen which allows programming of parameters and reports any fault conditions. The machine is fully auto-controlled with automatic cycle interruption when an alarm threshold is crossed. This continuous running machine is fully driven by SIEMENS brushless motorization.

### **Features:**

- Length of wallets adjustable from 160 to 230 mm through tactile screen,
- Width of wallets adjustable from 90 to 125 mm (In changing guiding plates)
- High accuracy in all folds
- Compatibility with all kinds of papers from 40 to 60 Gsm
- Production rate up to 80 cycles/minute
- **100% Made in France – Conformity CE**

### **Included Equipment:**

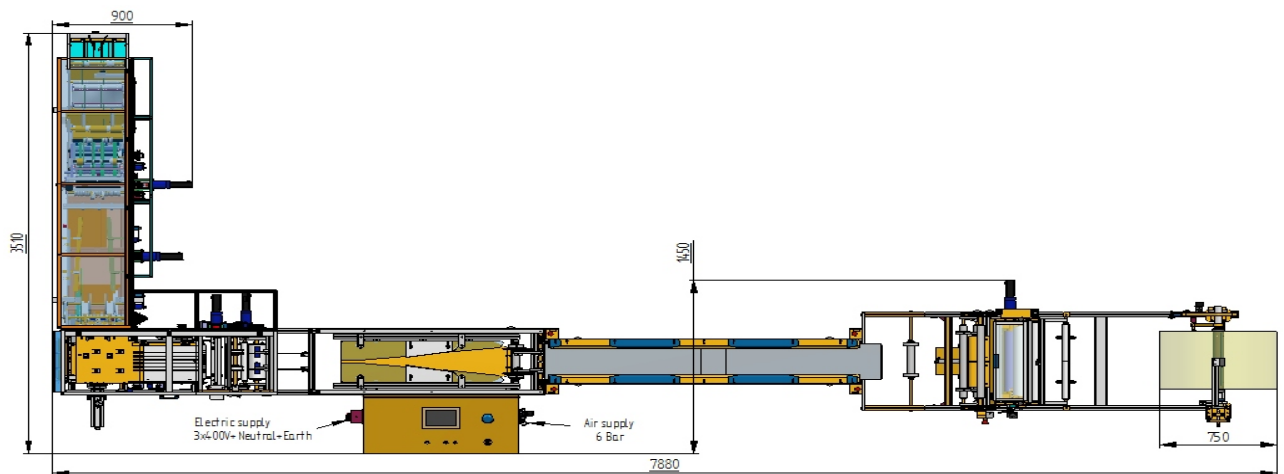
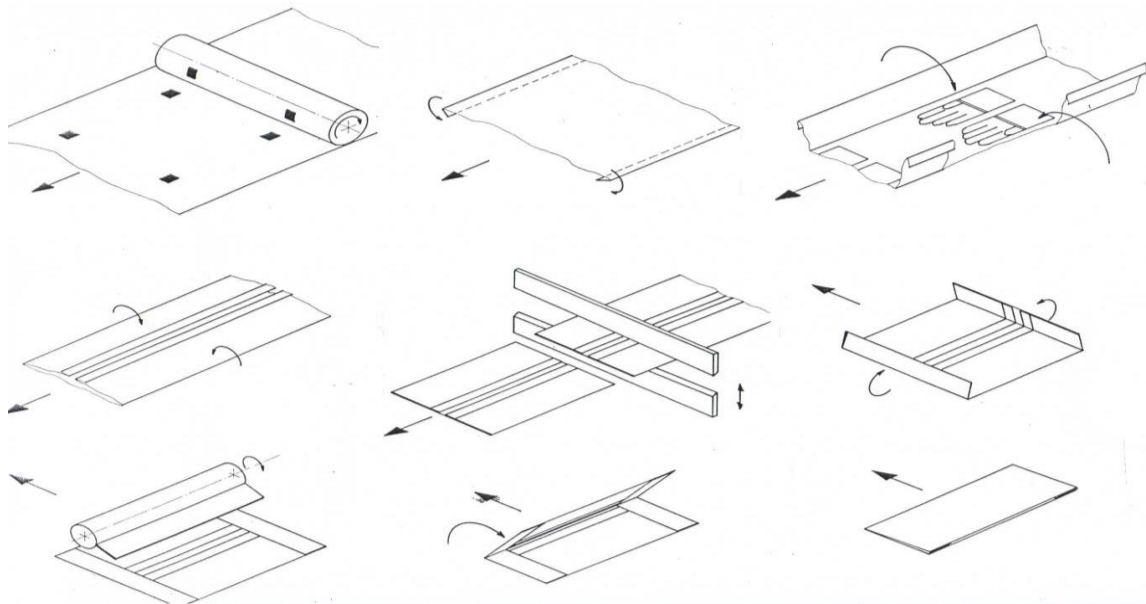
- Photocell for pre-printed material
- Guiding plates for specific shapes if required
- Digital display of all parameters
- Pneumatic mandrel for tension control of material
- Hygienic loading table lighted.

### Optional equipment:

- Printing device
- Selective reject gate
- Automatic loading device with cuffing area
- Stacking device
- Synchronization with outer pouch machine



### Wrapping process:



**LAYOUT OF THE MPG – SD**